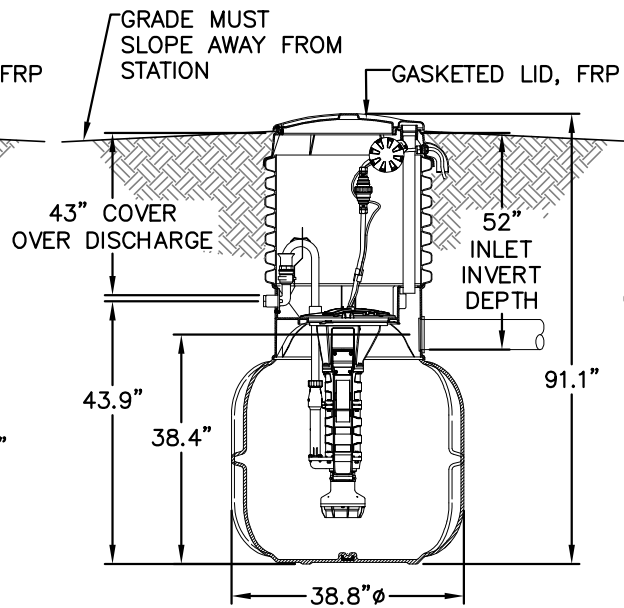
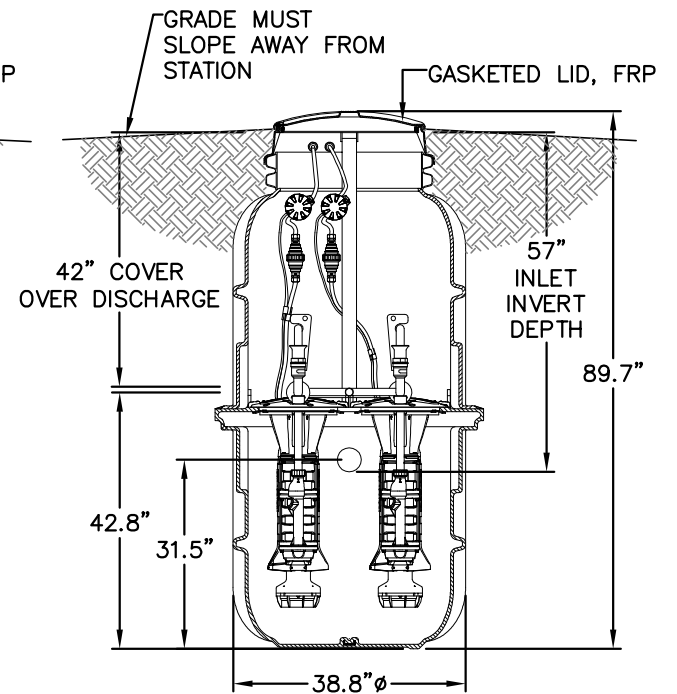


TYPE 1 – 70 GALLON SIMPLEX
GRINDER PUMP STATION



TYPE 2 – 150 GALLON SIMPLEX
GRINDER PUMP STATION



TYPE 3 – 150 GALLON DUPLEX
GRINDER PUMP STATION

NOT TO SCALE

KOONTZ LAKE REGIONAL SEWER DISTRICT

PO BOX 204

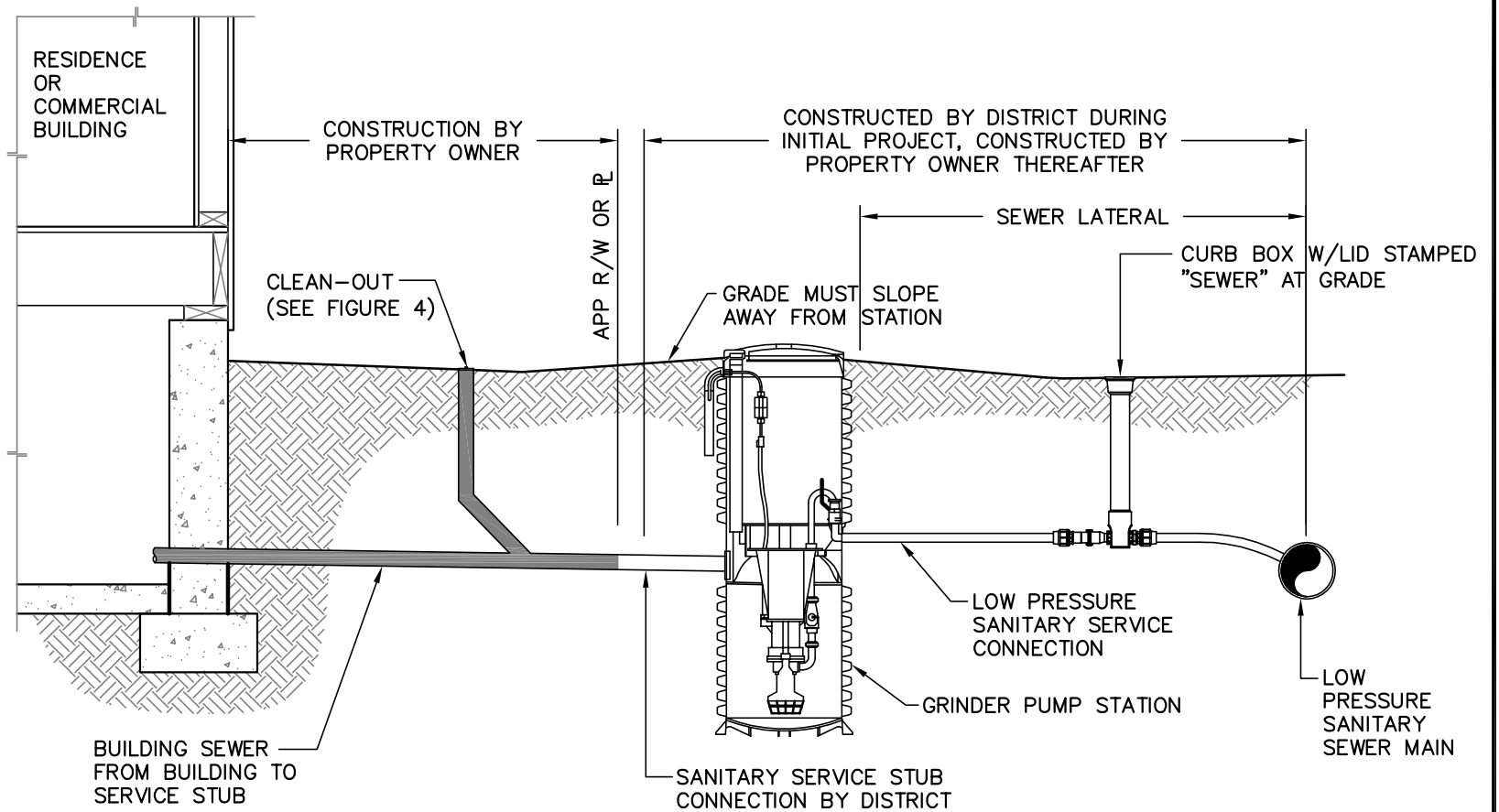
WALKERTON, IN 46574



TYPICAL GRINDER PUMP STATIONS

DRAWN BY: JSM	DATE: 02-03-10
------------------	-------------------

FIGURE I



NOT TO SCALE

KOONTZ LAKE REGIONAL SEWER DISTRICT

PO BOX 204

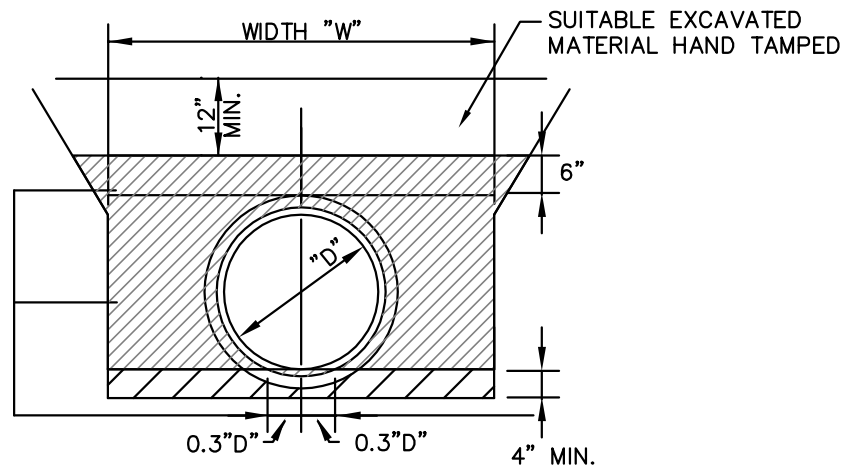
WALKERTON, IN 46574



TYPICAL GRINDER PUMP STATION INSTALLATION

DRAWN BY: JSM	DATE: 02-03-10
------------------	-------------------

FIGURE 2



CLASS 1 CRUSHED STONE, B BORROW OR MATERIAL AS APPROVED BY THE DISTRICT

NOTE: ALL PVC PIPE SHALL BE INSTALLED FOLLOWING THE ASTM D2321

NOT TO SCALE

KOONTZ LAKE REGIONAL SEWER DISTRICT

PO BOX 204

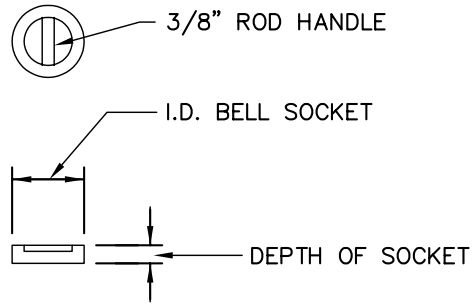
WALKERTON, IN 46574



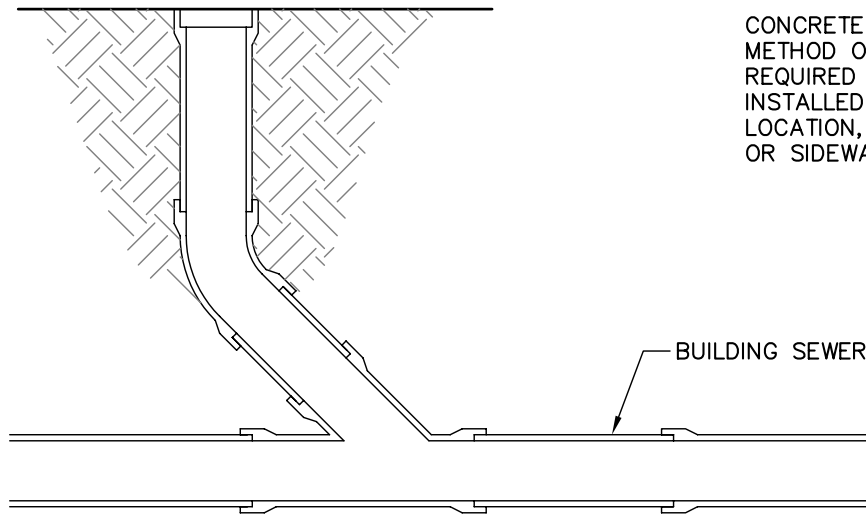
PIPE TRENCH AND PIPE BEDDING DETAIL

DRAWN BY: JSM	DATE: 02-03-10
------------------	-------------------

FIGURE 3



PLUG



NOTE:

CONCRETE COLLARS OR A SIMILAR METHOD OF PROTECTION WILL BE REQUIRED FOR ANY CLEAN OUT INSTALLED IN A HAZARDOUS LOCATION, SUCH AS A DRIVEWAY OR SIDEWALK.

NOT TO SCALE

KOONTZ LAKE REGIONAL SEWER DISTRICT

PO BOX 204

WALKERTON, IN 46574



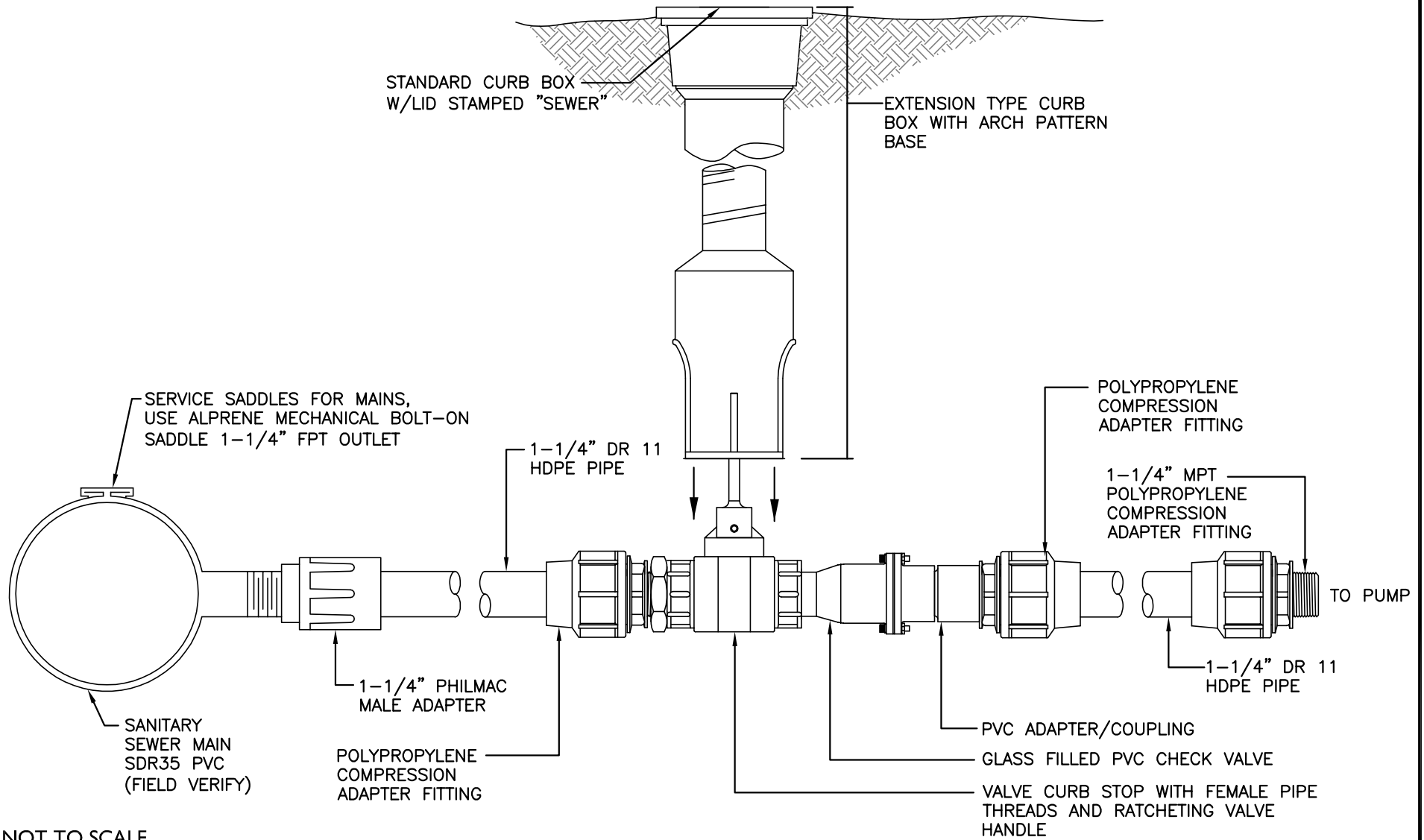
SANITARY SEWER CLEAN-OUT

REVISED:
1-18-2012

KKJ

DRAWN BY: JSM	DATE: 02-03-10
------------------	-------------------

FIGURE 4



NOT TO SCALE

KOONTZ LAKE REGIONAL SEWER DISTRICT

PO BOX 204

WALKERTON, IN 46574



TYPICAL SANITARY SERVICE CONNECTION

DRAWN BY: JSM	DATE: 02-03-10
------------------	-------------------

FIGURE 5